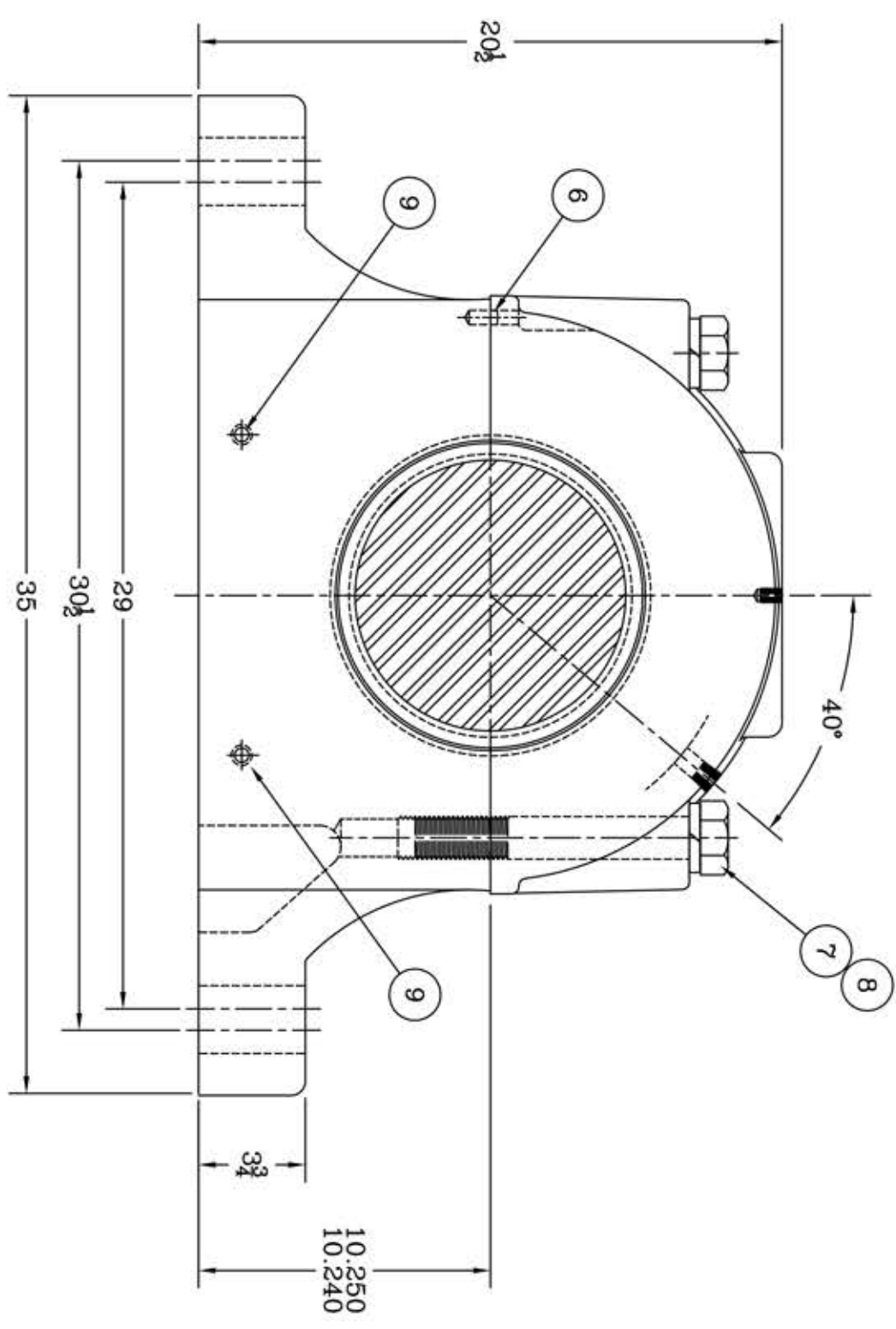
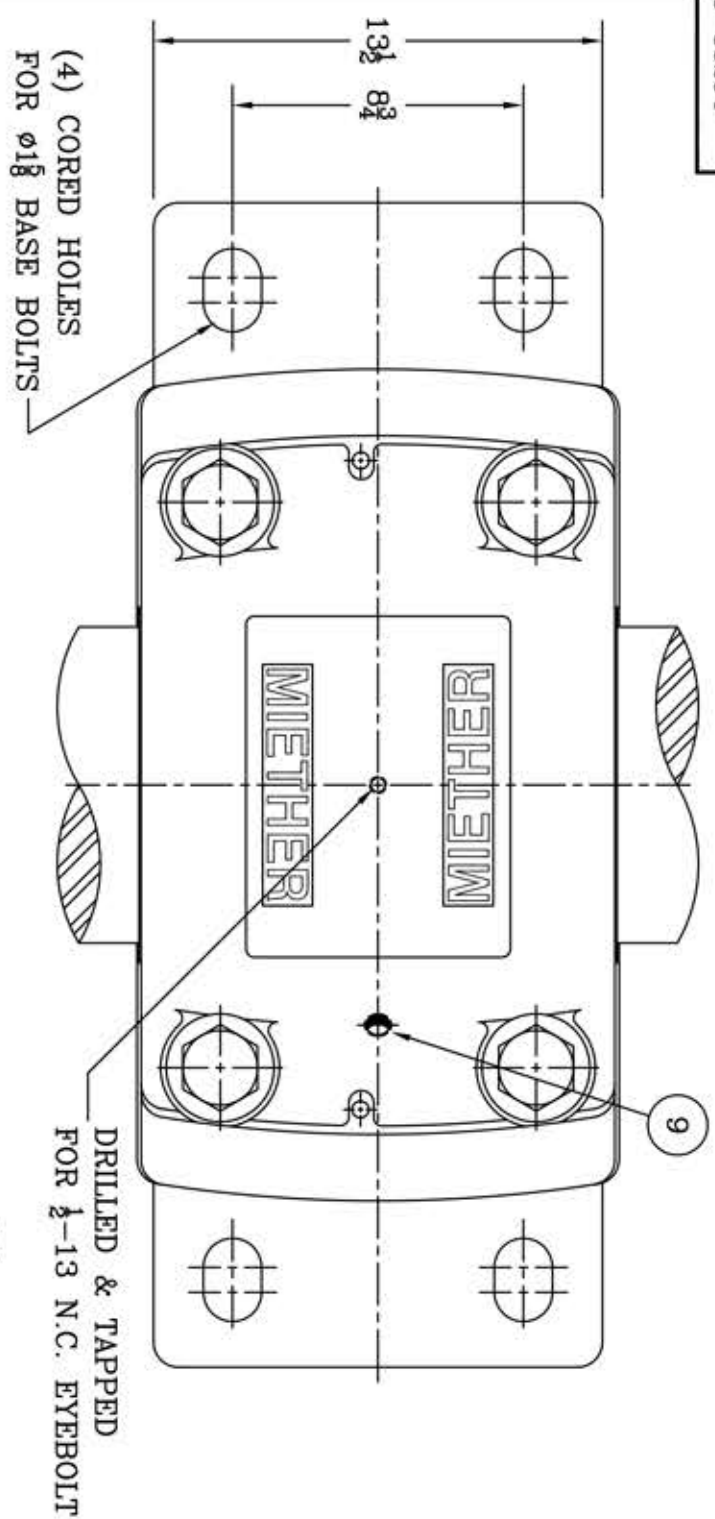
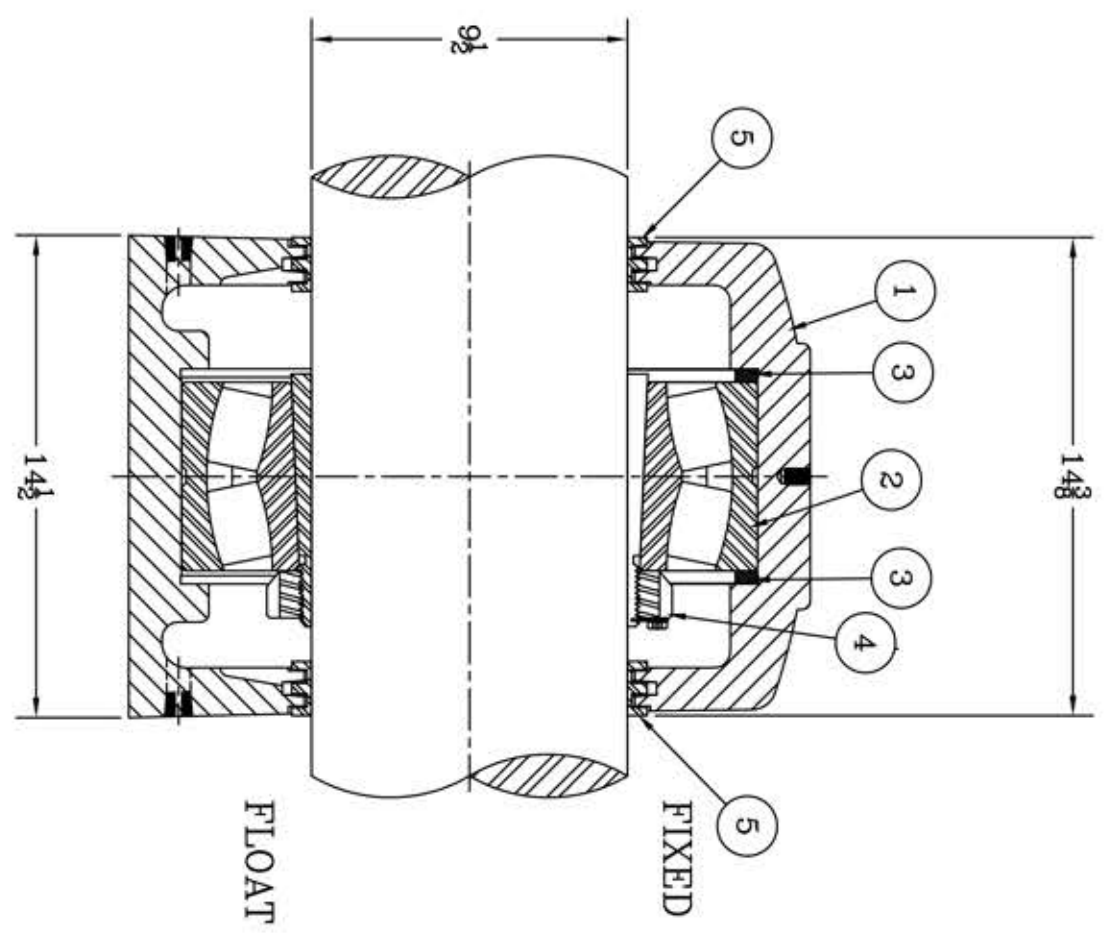


This drawing is the sole property of Miether Bearing Products and contains confidential and proprietary information. It is being provided to you for your use and may not be disclosed to any third party or used for any other purpose without Miether's prior written consent. The [materials] must be returned to the Company upon its demand. Your acceptance of these materials constitutes your acceptance of the foregoing terms.

C-35294



ITEM	DESCRIPTION	DETAIL	REQUIRED
1	HOUSING SDAFD 3152 09-08	C-	1 1
2	SPHERICAL ROLLER BEARING	23152K/W-33	1 1
3	STABILIZING RING A5679	A-15611	2 0
4	ADAPTER SNP 3152 09-08	24295	1 1
5	TRIPLE SEAL RING ER-842 S	A-19358	2 2
6	DOWEL	$\phi \frac{1}{2}$ x 1" LONG	2 2
7	CAP BOLT HEX. HEAD GR.5	$1\frac{1}{2}$ -6 NC x 10" LONG	4 4
8	LOCKWASHER	$1\frac{1}{2}$ SPLIT MED.	4 4
9	PIPE PLUG	$\frac{1}{2}$ -14 NPT	5 5



HOUSING MATERIAL - DUCTILE IRON
ASTM A536 GR 65-45-12

REVISIONS

SYMBOL	DESCRIPTION	DATE
16		
32		
63		
125		
250		
500		
1000		

TOLERANCE: UNLESS OTHERWISE SPECIFIED
FRACTIONS $\pm 1/32"$ ANGLES $\pm 0^\circ 30'$
DECIMALS $\pm .005"$ WELD $\pm 1/16"$
CASTING $\pm 1/16"$

A.I.S.I. STANDARD FINISHES

AN ALCO INDUSTRIES COMPANY
BEARING PRODUCTS
ODESSA, TX. USA

SDAFD 23152 K 09-08
ASSEMBLY DRAWING

SCALE 1 = 4
DRAWN PCF
DATE 1/9/13
CHK:

ASSEMBLY NO.
DRAWING NO.
C-35294